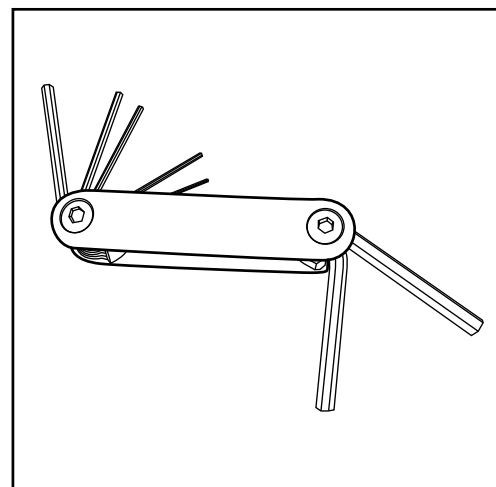


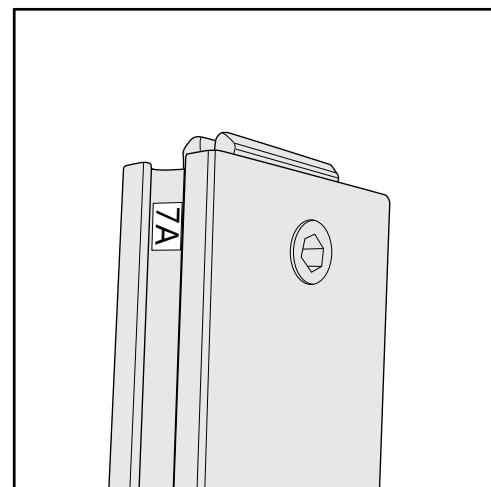
Plan View

General Setup Instructions

- Read entire setup instruction manual prior to unpacking parts and pieces.
- The setup instructions are created specifically for this configuration.
- Setup instructions are laid out sequentially in steps, including exploded views with detailed explanation for assembly.



Hex Tool - Essential for Assembly



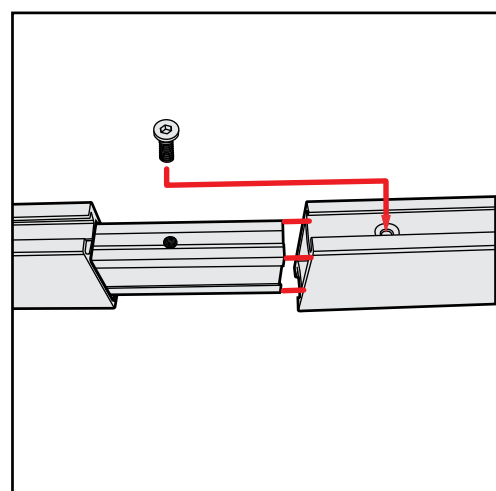
Part Identification - Numbering

Cleaning & Packing

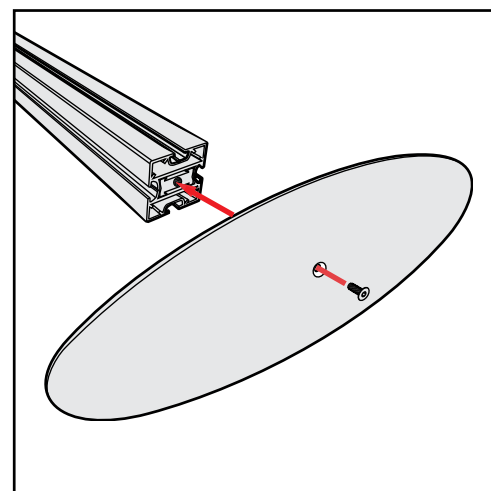
- For Cleaning Metal, Plex, & Laminate Parts: Use a **MILD NON-ABRASIVE** cleanser and soft cloth/paper towel to clean all surfaces.
- Keep exhibit components away from heat and prolonged sun exposure.
Heat and UV exposure will warp and fade components.
- Retain all provided Packing Materials. All provided packing materials are for ease of repacking & component protection.

Disassembly

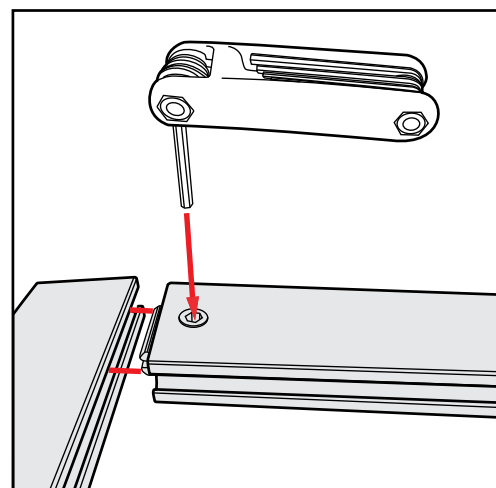
- For loss prevention, tighten all setscrews and locks during disassembly



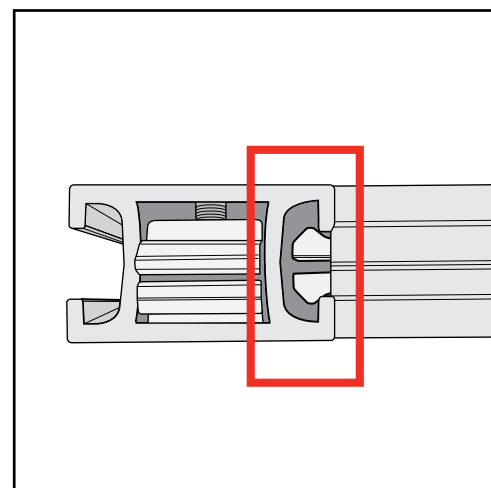
Spline Connection



Base Plate & Extrusion Connection



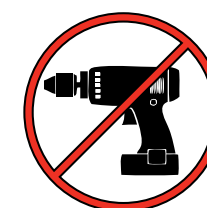
Extrusion & Lock Connection



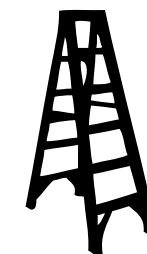
Engaged Lock



WARNING



DO NOT USE POWER TOOLS

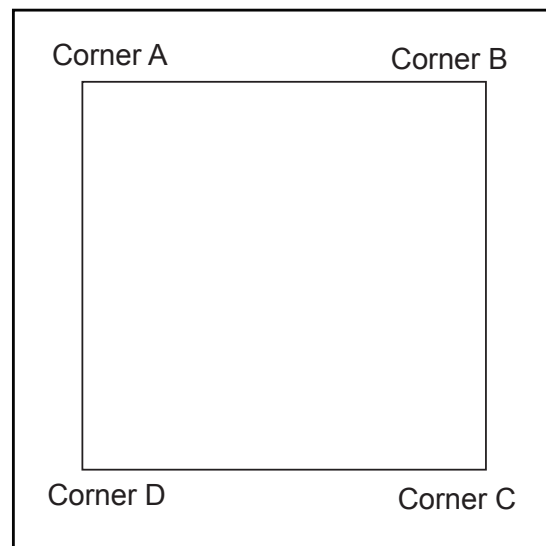


LADDERS OR LIFTS
MAY BE REQUIRED

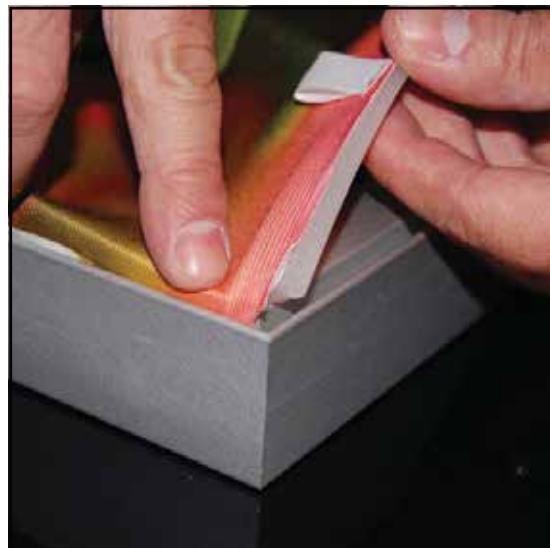


ALL CONNECTIONS MUST
BE TIGHTLY SECURED

SEG Graphic Installation



It is important to first insert graphic into each alternate corner then to the sides of the frame. If this is not done, graphic will not fit into the frame correctly.



Step 1
Insert corner A. Turn edge of graphic so silicon welt is perpendicular to face of graphic. Insert narrow side of welt with fabric to outside into the channel. Repeat for other side of this corner.

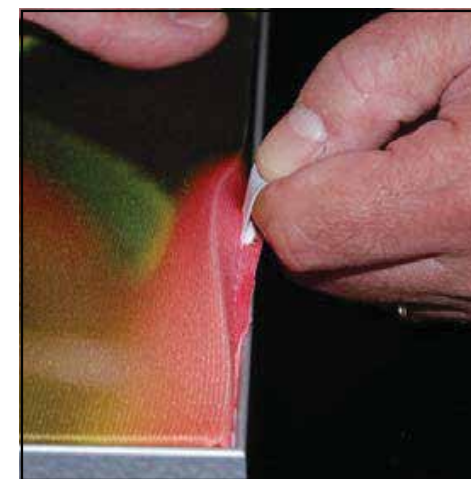


Step 2
Repeat Step 1 for opposite corner C, then insert corner B, followed by corner D, to complete the installation of the corners.



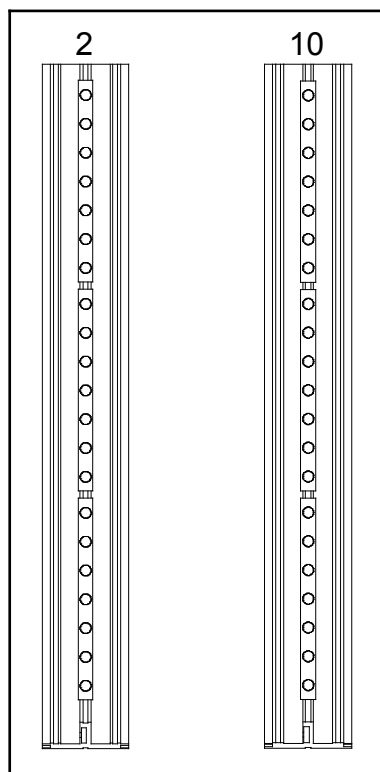
Step 3
Once all corners are inserted, press one silicon edge into channel from corners and work toward the center. Make sure welt is fully inserted into channel. Continue until all sides are done. Smooth out edges of graphic.

Graphic Removal

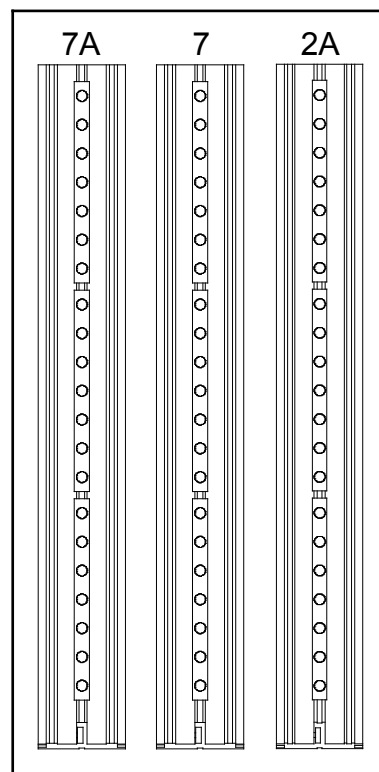


To remove the graphic from the frame, locate the fabric pull tab. Gently pull up on the tab to remove the fabric.

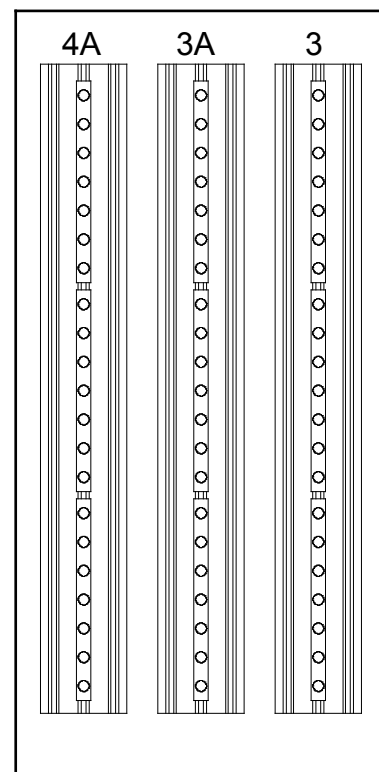
Top View of Each Level



Level 1

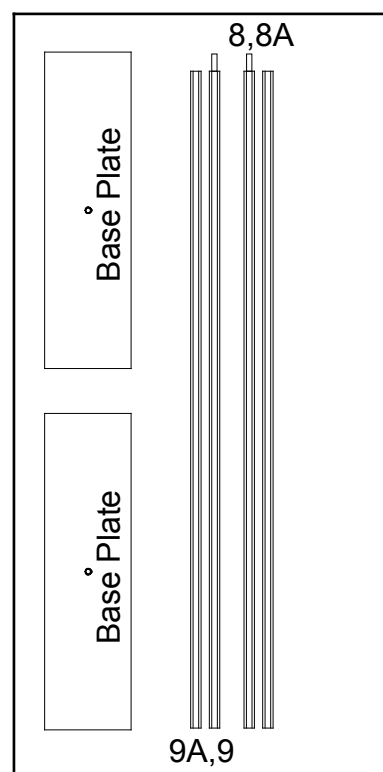


Level 2

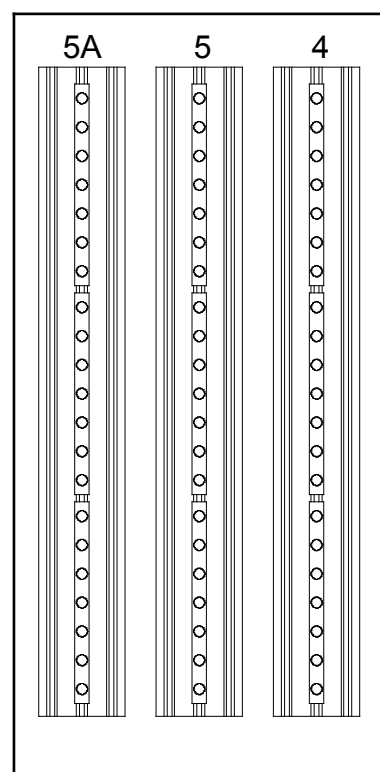


Level 3

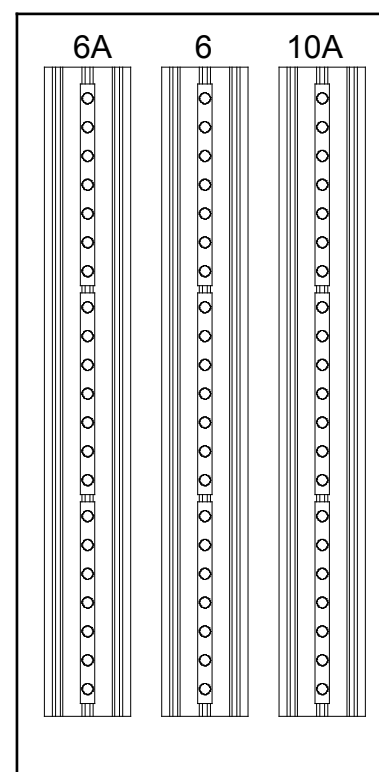
Top View of Each Level



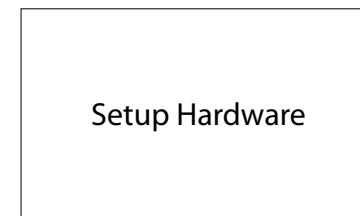
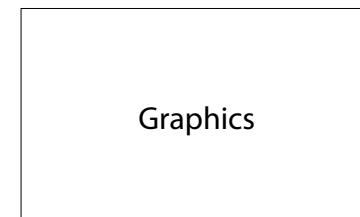
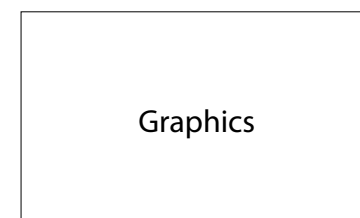
Level 1



Level 2



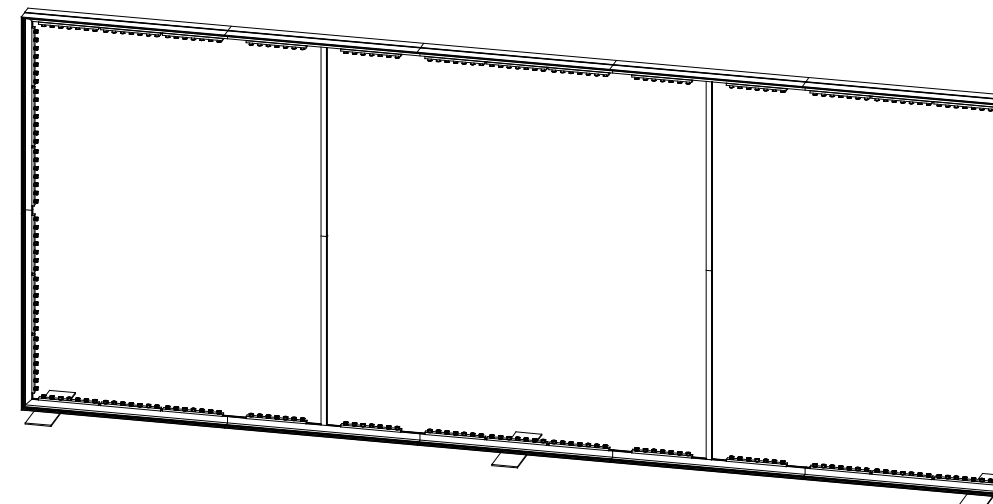
Level 3



Item	Qty.	Description
1	3	Base Plate
2/2A	1/1	47.5" CEI-152 Horizontal Extrusion
3/3A	1/1	45" CEI-152 Horizontal Extrusion
4/4A	1/1	45" CEI-152 Horizontal Extrusion
5/5A	1/1	45" CEI-152 Horizontal Extrusion
6/6A	1/1	45" CEI-152 Horizontal Extrusion
7/7A	1/1	47.5" CEI-152 Vertical Extrusion
8/8A	1/1	45.677" Z33 Vertical Extrusion
9/9A	1/1	45.677" Z33 Vertical Extrusion
10/10A	1/1	47.5" CEI-152 Vertical Extrusion

Steps:

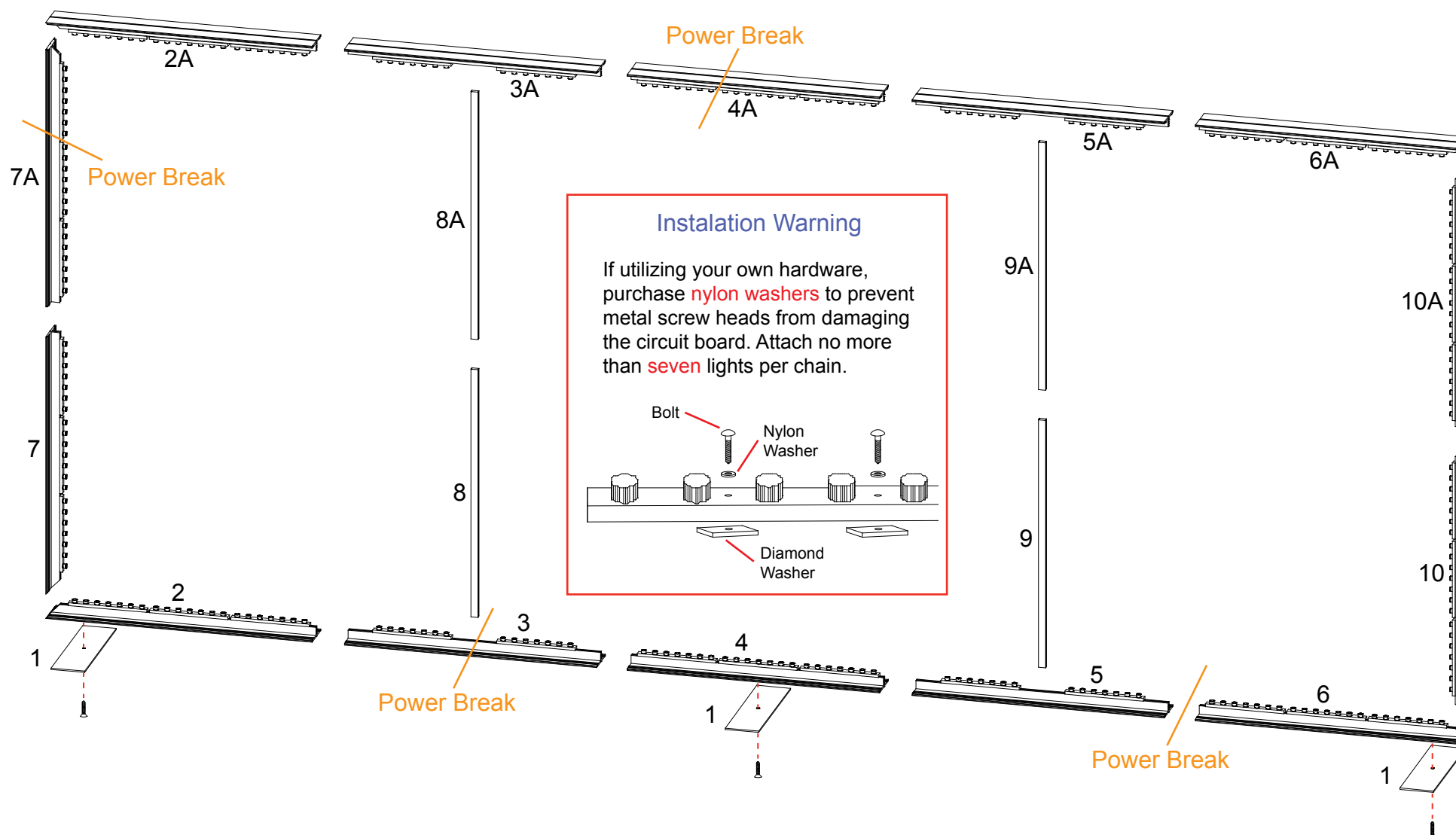
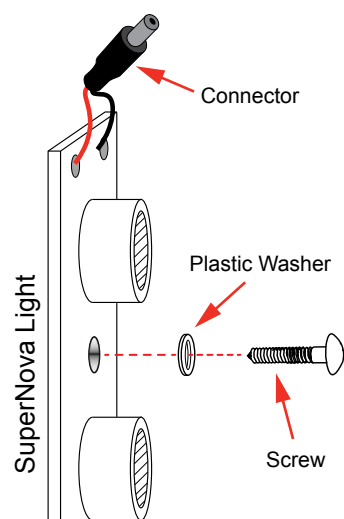
- 1) Attach Base Plates [1] to Horizontals [2,4,6], using bolts.
- 2) Connect Verticals [8,8A] [9,9A].
- 3) Connect Horizontals [2,3,4,5,6] [2A,3A,4A,5A,6A]. See General Information sheet [CEI-152 Straight Connection](#) detail.
- 4) Connect Verticals [7,7A] [10,10A]. See General Information sheet [CEI-152 Straight Connection](#) detail.
- 5) Connect Vertical assemblies [2/3/4/5/6] [2A/3A/4A/5A/6A] to Horizontal assemblies [7/7A] [10/10A], with assemblies [8/8A] and [9/9A] between. See General Information sheet [CEI-152 Corner Connection](#) detail.
- 6) Route Light Cords thru PR63 and hole in [6] then connect to Transformers. See [Light](#) and [PR63](#) details.
- 7) Apply SEG Graphic to assembled CEI-152 frame. See General Information sheet SEG Graphic Installation detail.



Completed Assembly

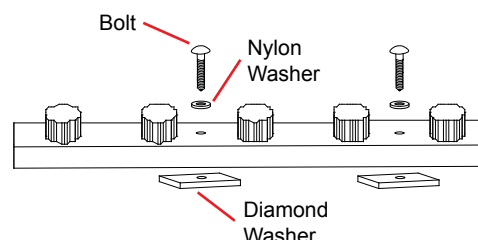
SuperNova Light

- 1) Male & female connectors must face correct direction prior to attachment.
- 2) Attach SuperNova light to horizontal or vertical extrusion and secure with plastic washer and screw.
- 3) Remove light for packing.

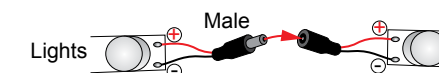


Installation Warning

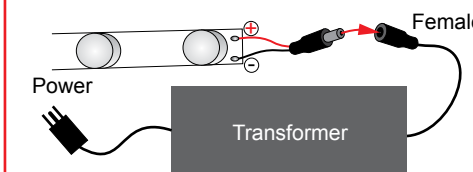
If utilizing your own hardware, purchase **nylon washers** to prevent metal screw heads from damaging the circuit board. Attach no more than **seven** lights per chain.



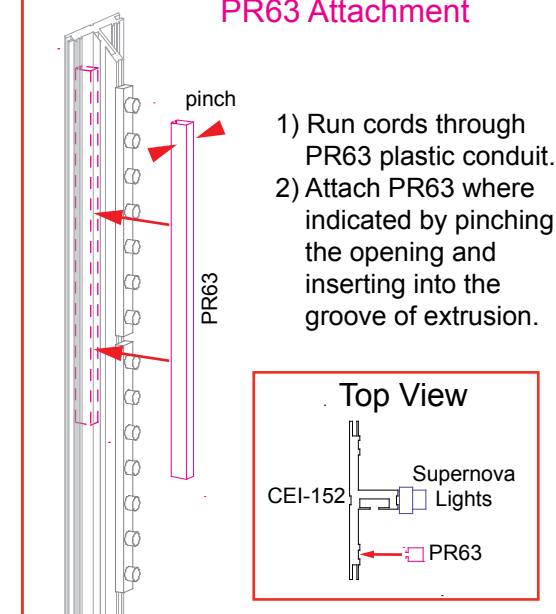
Light to Light Attachment



Light to Transformer Attachment



PR63 Attachment



- 1) Run cords through PR63 plastic conduit.
- 2) Attach PR63 where indicated by pinching the opening and inserting into the groove of extrusion.

Top View

